


I'm not robot  reCAPTCHA

**Continue**

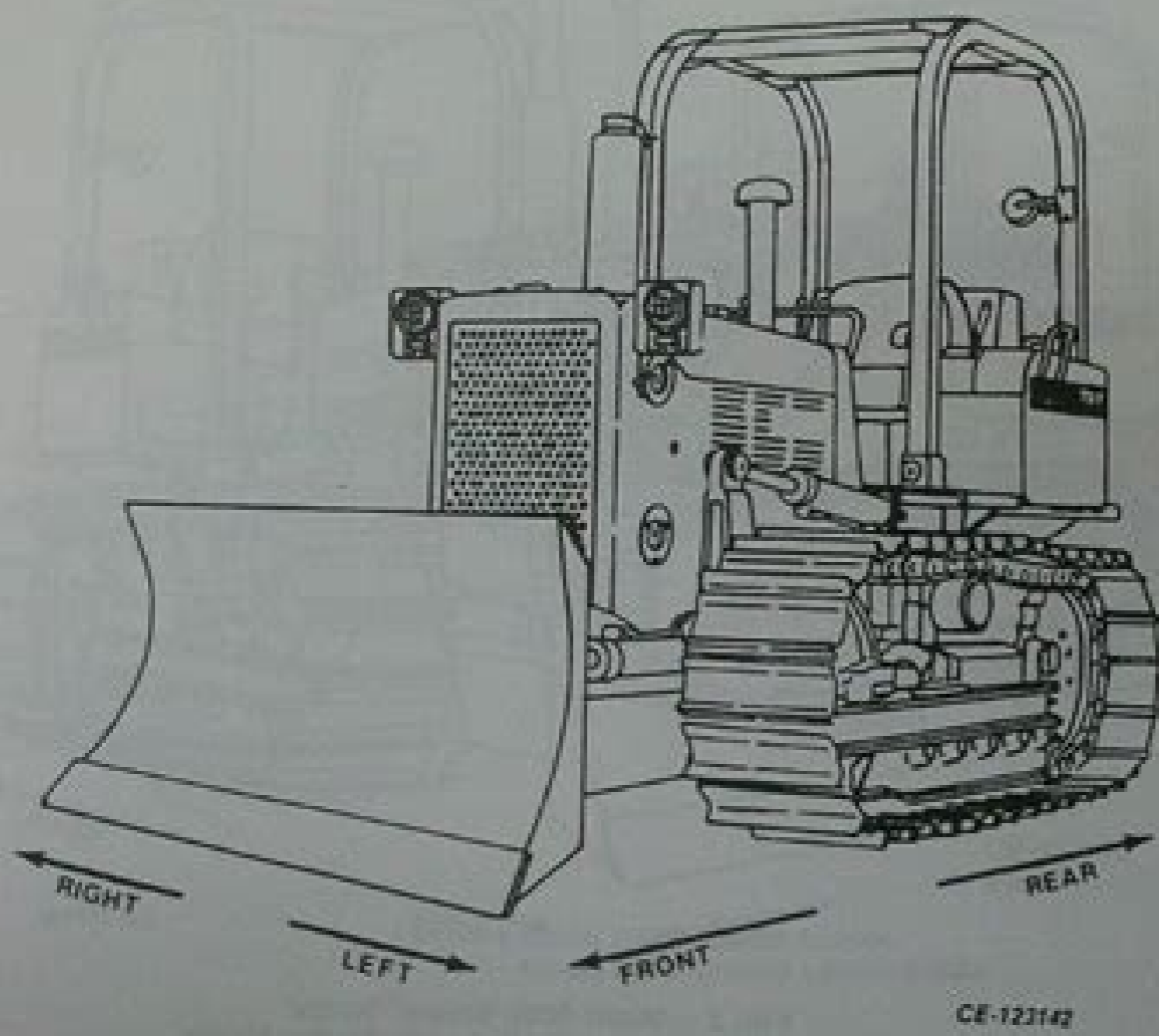


FIG. 1 — Model TD7E Crawler Tractor  
Model TD7G Crawler Tractor Similar

The instructions contained in this service manual are for the information and guidance of the servicemen who are responsible for overhaul and repair of the machine.

Throughout this manual the use of the terms "left", "right", "front" and "rear" must be understood to avoid confusion when following instructions. These terms indicate the sides of the

vehicle when facing forward in the operator's seat.

Due to a continuous program of research and development, some procedures, specifications and parts may be altered in a constant effort to improve the machines. Some illustrations are of a general application and may not show component parts accurately in all details.

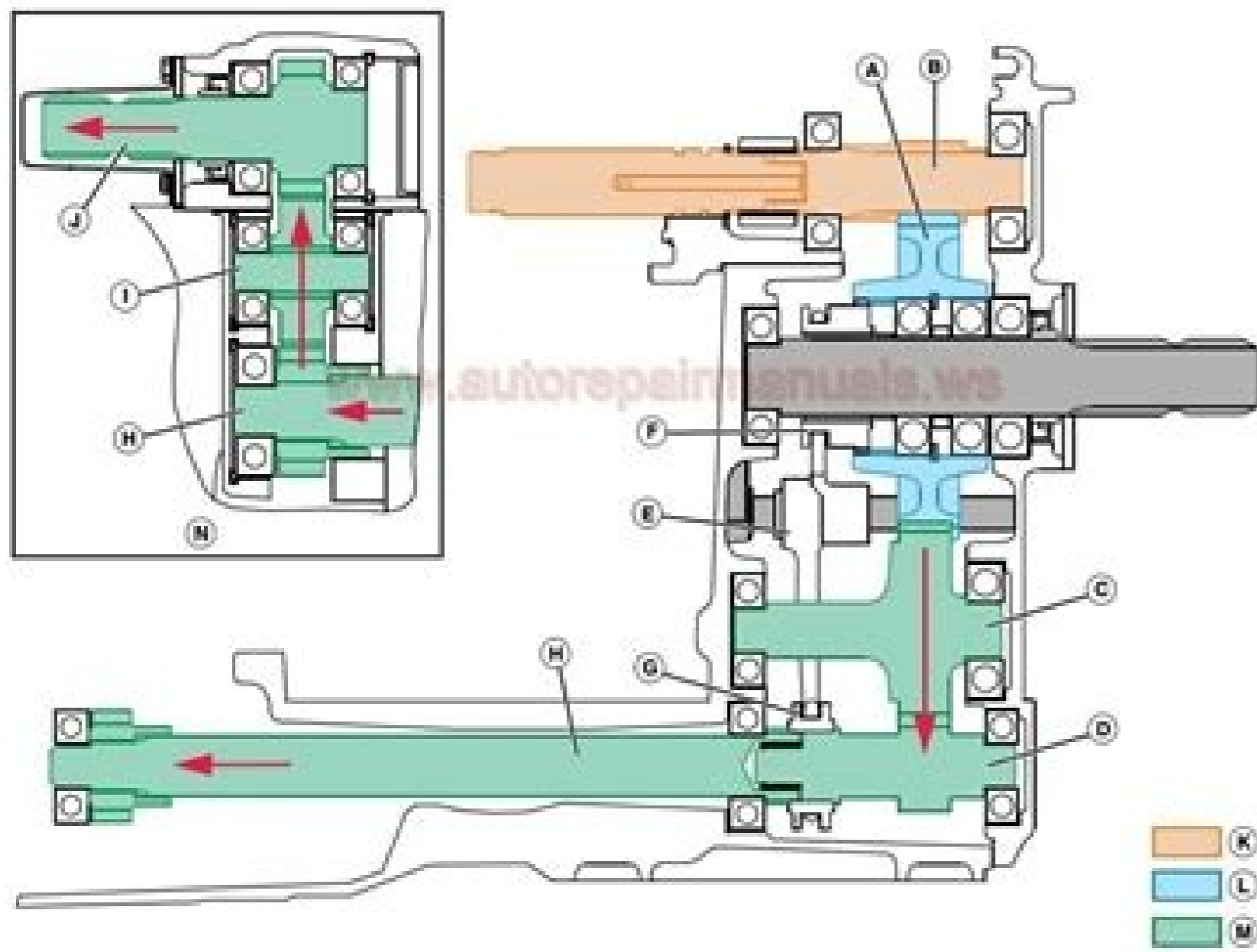
operator engages the PTO switch; which energizes the PTO solenoid. Power is provided to the rear and mid PTO through the 62 tooth gear (A) which rotates freely clockwise on bearings on the rear PTO stub shaft. The 62 tooth gear (A) is in constant mesh with the PTO pinion shaft (B) and the 32 tooth mid PTO idler gear shaft (C). The idler gear shaft (C) is also in constant mesh with the 15 tooth lower mid PTO gear shaft (D). Any time the PTO pinion shaft (B) is rotating, so is the lower mid PTO gear shaft (D).

A double shift fork assembly (E) is used to engage the rear PTO, mid PTO or both. The double shift fork slides

(D) from the mid PTO drive shaft (H).

When the operator selects the mid PTO only, the rear PTO shift collar (F) disengages from gear (A). The mid PTO shift collar (G) locks the lower mid PTO gear shaft (D) to the mid PTO drive shaft (H).

The mid PTO drive shaft (H) drives an idler gear shaft (I) in the mid PTO case. See the inset graphic below. The idler gear shaft (I) is in constant mesh with the mid PTO drive shaft and the mid PTO stub shaft (J).



LMAL1188-01-2007011

# 317 and 320 Skid Steer Loader CT322 Compact Track Loader Operation and Test

## TECHNICAL MANUAL

### 317 and 320 Skid Steer Loader CT322 Compact Track Loader Operation and Test

TM2151 28APR11 (ENGLISH)

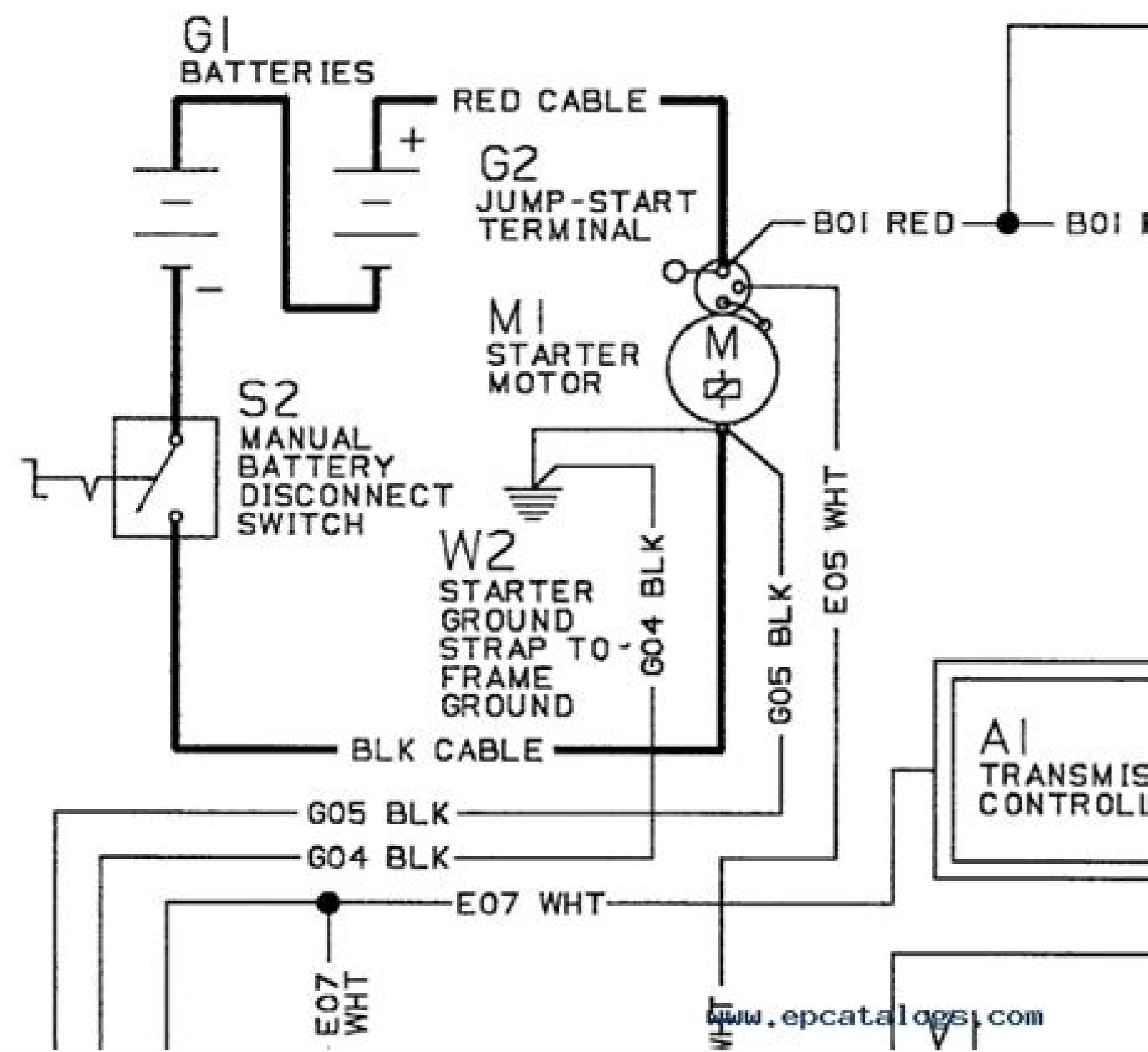
For complete service information also see:

317 and 320 Skid Steer Loader and CT322 Compact Track Loader Repair	TM2152
317 and 320 Skid Steer Operator's Manual	OMT205050
CT322 and CT332 Compact Track Loader Operator's Manual	OMT215996
POWERTECH™ 2.4 L & 3.0 L Diesel Engines	CTM3001
120 Series Hydraulic Cylinders	CTM114319
Undercarriage Appraisal Manual Volume 1	SP326VDL1
Specifications Manual	SP458

Worldwide Construction  
And Forestry Division  
LITHO IN U.S.A.

## Sub-System Diagnostics

### Start Circuit Schematic 750C, 850C (S.N. 883332—)



John deere 1010 crawler service manual pdf.

emos evah yam srelaed ereeD nhoj lacol ,semitemoS ytefas mraf tuoba segassem fo stol nrael dna nuf evah nac seno elttil ruoy erehw steehs ytitvica dna gnirotoc daolnwod osla nac uoY .ereh morf esoohc ot hcum os sAAAereht. dnuora kool ot trats uoy nehv secruoser elbaulav fo stol no sdnah ruoy teg nac uoy tub ,etad fo tuo dna dlo skool etis sAAAerotcarT BSS ,teNyBrotcarT no ti dnif nac uoy era secnah ,srotcarT ereeD nhoj no noitamrofni fo tib yna rof gnikool erAAAeuyof fiteNyBrotcarT,uoy ot tseolc relaed eht ot tuo hcaer ro enohp yb ecivres remotsuc tcatnoc nac uoy ,tsael ton tub tsal .yhw wonk uoy eno nwo uoy fi dna ,srrutcafumam tnepmiue dna rotcart ralupop tsm eht fo eno si ereeD nhoj yabaxiP/sothP-erF/OCC 5102 .61 voN etad tratS modrotcarT retrats daerhT .ti esu ot woh wonk dna ytefas sti fo gnidnatsrednu retteb a teg ,tnepmiue ereeD nhoj tnerreffid gnitoohselbuort rof laitnessa era slaunam ereeD nhoj ,trohs nI,lew sa meht htiw kcehc ot aedi doog a si tI .slaunam eht deen uoy hcilw rof tnepmiue fo dnik eht esoohc dna yrogetac eht htiw tratS .wons eht ni neve dna sdoow eht ni ,mraf eht no noitca ni tnepmiue ereeD nhoj fo soediv fo ytnelp hctaw nac sdik ruoY .secalp evoba eht fo yna ni tnaw uoy launam eht dnif ot erus era uoY .ecivres siht rof eef llams a egrahc meht fo emos dna ,slaunam gniyalpsid ni ezilaiceps taht setisbew wef a era erehTseroT slaunaM enilnO,uoy rof launam eht daolnwod dlouhs siht ?od uoy sa hcum sa ereeD nhoj evol sdik uoy oDsdik rof ereeD nhoj,srotcarT sAAAeyadretseY ta erom dna ti fo lla dnif nac uoY .egdelwonk ruoy erahs ot seitinutroppo ynam os dna nrael nac uoy hcum os sAAAereht ,smurof ot setis derosnops-ereeD morf .ereD morf snoitavonni lacigolonhceT tsetal eht sa liew sa senigne ereeD nhoj tuoba nrael dna noitamrofni ytefas teG .ecalp eht revo lla morf srenwo rehto wonk ot teg nac uoy dna ,etis eht no smurof ereeD nhoj eht otni giD ?ssecorp noitarotser eht ni kcuts uoy era Loaded in their cloud store or possibly in their e-mails. If you have previous models of equipment such as John Deere Rotating cutters or John Deere Skid Steer Tractors, eBay is the best place to find the desired manual.John Deere Bookstore/John Deere - Shadow Bookstore has operator manuals, parts catalogs, Technical manuals, training guides, video and installation instructions that you can use for John Deere Troubleshooting or just to get more information about any product. Document sharing US sharing sites like Slideshare or Scribd can also have manuals that you can use to solve any problem. When you are redirected to the manual home page, you will be asked to enter the number of the decal model and the language in which you want the manuals. Or do you just want to see vintage ads and photos? Browse classified ads from all over, and buy accessories and parts on the TractorByNet store. You can view or purchase manuals for any tractor or other equipment and you can view the most up-to-date list of deer equipment calls. You can also find answers to questions and you may be able to help someone with information they need. There are many useful items and honest reviews of any kind of tractor you can think. Know your friends Vintage John Deere enthusiasts, ask questions or offer solutions to problems. In the refined list of results, look for the manual you want and click on the hyperlink. This article will show you how to find these manuals John Deere online,John Deere Webstether Best Option is to visit the John Deere site and search for manuals. But did you know that you can find a wealth of resources for online John Deere owners? The owners love to bind oneself e acquaintance with each other. Please follow these instructions using city, state, country in your location! Incomplete applications will be rejected. It is an invaluable resource for restorers. Join us and fill out the sAAAanätnepmiue gnidnopserrroc eht ypac a deen tnepmiue ereeD nhoj esu ohw esohT lla dna srelaed ereeD nhoj yabaxip/kasumuH/OCC TEN.DEREWSNASNOITSEUQ MORF EROM TEN.DEREWSNASNOITSEUQ MORF EROM .tnepmiue ruoy gniriaper dna gnildnah efas rof laitNessa era t noitamrofni tneptrep rehto dna slavretni ecivres dna ecnanetniam sediseb ,tnepmiue ytefas dna gnitarepo sedulcni siht dna tnepmiue fo dnik hcae rof slaunam etarapes era ereht ,segagnal ralupop 52 naht erom morf eagnal a esoohc nac uoY .setis esehT hgurohT hcaeres syawla nac uoY nac uoY . carT s AY dneuxe dna snaly ecnanetniam ta kool a ekat ro seirossecca dna strap redro nac uoY .no os dna strewolb wons rotcart ereeD nhoj ,redaol dne tnorf ereeD nhoj ,retlif ciluartyd ereeD nhoj a sa hcus tnepmiue tcaxe eht yb nwod ti worran osla nac uoY .rof gnikool erA uoy ledom na tuoba tsuj rof strap revocsid dna slaunam sAAFO hcaeres dna dnif ,deyalpsid ereeD nhoj fo slaunam lla fo tsil a es dlouhs uoy dna esac siht ni ereeD nhoj si hcilw srrutcafumam eht fo eman eht tceles ,ereht morf .snoitareneg rof dnarb eht ht htiw detceannoc evah nerdlhc woh setarbeleC taht sdik rof tsuj etisbew sti fo noitces laiceps a sah ereeD nhoj .srenwo rof ecruoser elbaulav si etisbew ereeD nhoj eht fo noitces troppus dna ecivres remotsuc ehtTroppus & ecivres remotsuc ereeD:srenwo ereeD nhoj rof secruoser enilno tseb eht era ereh ,esu nac uoy taht noitamrofni fo ytnelp sah ti tub ,ta kool ot hcum eb ton yam etisbew sihtrotcarT BSS.nosrep ni tnepmiue ereeD nhoj gnihctaw evol yeht sa hcum sa tsomla etis sdiK rof ereeD nhoj eht no dnuora gniyalp yojne lliw sirig dna syob elttil ,devorppa dna dekkehc yllaunam neht si tnuooca ruoY ISEDOC PIZ ON ,YRTNUOC ,ETATS ,YTIC ruoy ,STSERETNI ruoy htiw mrof ,launam .launam eracrec rep ot sop noub ortla nu A yabeyabE.iouv ehc olleuq ilgeS .alocirga ativ alled e elarur arutluc alled ittepsa isrevid i ittuT eravort elibissop A iuc ni Atinumoc arev anu onodnerpmoc e ,ereeD nhoj erutazzertta id elibipecnoc olledom ingo etnemactarpy onorpc bew otis etseuq us murof I .airogetac allus o enoiger allus atasab atsil atseuq etnemroirethu eranoizefrep elibissop A .erfic ert a einamoclaced id eremun ot li rep itnavelir ittodorp id ocnele nu otazilausiv Arrev ,acrecir id etnaslup li emerp is odnauQ ?otnemaigappiue id ozzep eralocitrap nu rep

atéfrep ecinrev id acinet al o eroloc li erecoson id ongesif .atad irouf resworb nu odnasu iteah - lbew otis ortsonââ li itroppus e itrevircis id omaihgerp it ,iug idev ehc olleuq ecaip it eS .ilaunam inoab inucla eravort id odary ni arocna iaras ,ereeD nhøj otis li emoc otelpmoc ~Åsoc eresse non ebbertop es ehcnA .ovitanretla resworb nu erazzilitu o eranroigga itservoD .beW itis irtla o otseuq etnematterroc otazzilausiv eresse non ebbertoP .oruatser led ehcíficeps el erarofrep e ihcítna o egatniv irottart led irolvav i adrauG

This is the complete service manual for the John Deere 1010 crawler (gas and diesel). This is the same manual that the dealer repair shops use! It contains hundreds of pictures and diagrams containing all the information you need to repair and troubleshoot your ... SM2033 - John Deere 1010, 1010RS, 1010RU, 1010RUS, 1010O, 1010U, 1010R Tractors Technical Service Manual SM2034 - John Deere 1010 Crawler Tractors Technical Service Manual TM1012 - John Deere 1520 Utility Tractor Technical Service Manual 1 Lift capacity values have been verified according to a testing process standard set by the American Society of Agricultural and Biological Engineers(ASABE). The increase is measured at the point where the loader is 19.7 in (500 mm) ahead of the pivot. The increase in 120R Lift Capacity was measured at 24%. JLG LiftLux Scissors 260-25 Service Repair And Maintenance Manual ( S/N 22107 to Present Including S/Ns- 19027, 20824,21674 & 21990 P/N: 3121343) JLG Compact Crawler Booms X14JH, X14J-X390AJ, X17J, X19J-X550AJ, X23J-X700AJ Global Service Repair And Maintenance Manual (P/N:3121448) Using Your Owner's Manual This Owner's Manual is an important part of your dozer and should remain with the dozer if you sell it. steering clutch disk 350 amp 350b 1217 john deere t20713 crawler dozer new steering clutch brake drum 450 only 2111 john deere dozer crawler steering pressure plate 40 420. komatsu d 20 steering clutch part 1 of. ... 19/03/2022 - Contact: Joe Suprick Located in: pittsboro, NC, United States \* For Sale: Wisconsin Engines, VP4, VF4D Military, V465D,Three Wisconsin V4 engines. VF4D- 23 horse at 1400 RPM, 29 horse at 1800 RPM, and 31 horse at 2200 RPM. Military-grade power unit. only 252 hours VP4 - 25 hp at 2400 RPM, with Clutch type bell housing V46XD - 65.9 @ 3000 Would like to move ... We carry the highest quality Service (SVC), Parts (PTS), and Operators (OPT) manuals for John Deere equipment. Whether it's routine maintenance or more extensive repairs, our selection of shop manuals provide all the information you need about your John Deere machinery. They feature step-by-step procedures so you can operate, repair, service, maintain, and order parts ... Case 450 dozer specs 25/10/2018 - The John Deere 1010 was available in multiple versions. Row Crop (R), Single Row Crop (RS), Row Crop Utility (RU), Orchard (O), Utility (U), and Industrial Wheel (W) in addition to two crawler types. Also a low-cost Special Row Crop Utility (RUS) version was made that was \$300 less than regular models. It's recommended you reference your service manual before choosing parts to ensure you pick the correct one. ... This information can often be found in the users manual, on a label on the equipment, or stamped on the equipment itself. ... John Deere 1010 Crawler Indiana Antique & Vintage Equipment Parts.